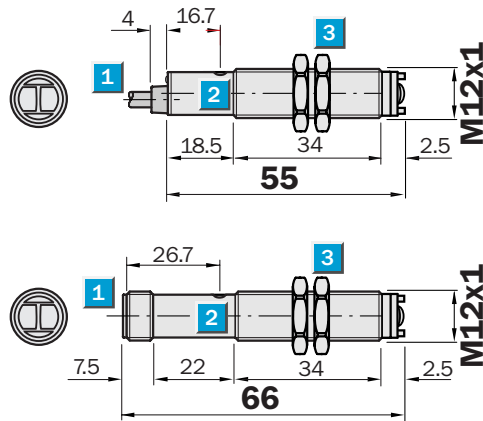


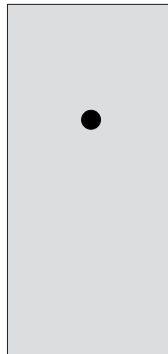
	Scanning range 0.03 ... 2.8 m
Photoelectric reflex switches	

- Switching reliability even with reflecting objects thanks to polarization filter and red light
- Minimum number of variants: Switching type L.ON or D.ON selectable per control line L/D
- Optic pre-failure message via operating reserve display

Dimensional drawing



Adjustments possible	
VL 12-2P 132	VL 12-2N 132
VL 12-2P 430	VL 12-2N 430

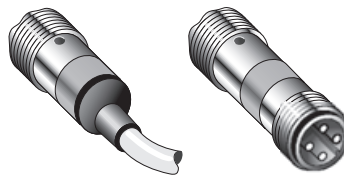


- 1 Cable or plug M12, 4-pin
- 2 Yellow LED indicator:
 - lights continuously: reception signal > reserve factor 2
 - blinks: Reception signal < reserve factor 2 but > switching threshold 1
- 3 Mounting nuts (2x), SW 17, metal

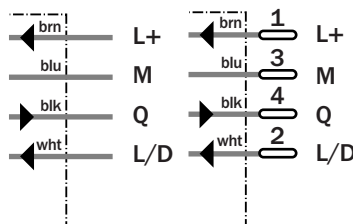


Connection types

VL 12-2P 132	VL 12-2P 430
VL 12-2N 132	VL 12-2N 430



4 x 0.14 mm ²	4-pin, M12
--------------------------	------------



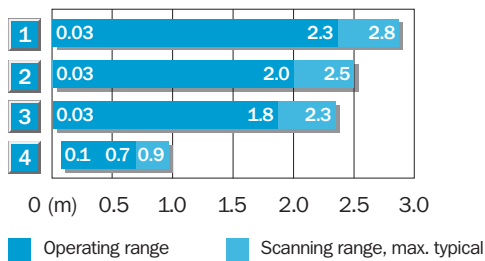
See chapter Accessories
Cables and connectors
Mounting systems

Technical data	VL 12-2	P 132	P 430	N 132	N 430						
----------------	---------	-------	-------	-------	-------	--	--	--	--	--	--

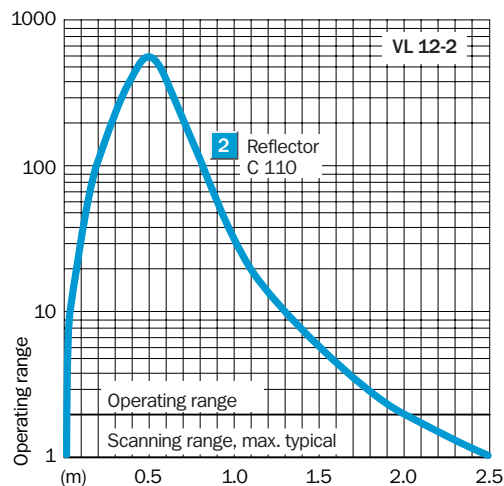
Scanning range , max. typ./reflector	0.03 ... 2.8 m/PL 80 A				
Operating range	0.03 ... 2.3 m/PL 80 A				
Sensitivity setting	Not available				
Light source¹⁾, light type	LED, red light, with polarization filter				
Light spot diameter	Approx. 80 mm at 2 m				
Angle of dispersion of sender	Approx. 2.3° (SR = max.), Approx. 6.3° (SR = 1/2 max.)				
Supply voltage V_S	10 ... 30 V DC ²⁾				
Ripple ³⁾	≤ 10%				
Current consumption ⁴⁾	≤ 20 mA				
Switching outputs	Q: PNP				
	Q: NPN				
Output current I_A max.	≤ 100 mA				
Switching mode	Light-/Dark-switching selectable ⁵⁾				
Response time ⁶⁾	≤ 1.25 ms				
Switching frequency max. ⁷⁾	400/s				
Connection types	Cable ⁸⁾ PVC, 2 m, 4 x 0.14 mm ² , Ø 3.75 mm				
	Plug M12, 4-pin				
VDE protection class⁹⁾	□				
Circuit protection¹⁰⁾	A, B, C, D				
Enclosure rating	IP 67				
Ambient temperature T_A	Operation -25 °C ... +70 °C Storage -25 °C ... +70 °C				
Weight	With cable Approx. 54 g With plug Approx. 18 g				
Housing material	Housing: Nickel-coated brass/PA Optics: PC				

¹⁾ Average service life 100,000 h at $T_A = +25 °C$
²⁾ Limit values
³⁾ May not exceed or fall short of V_S tolerances
⁴⁾ Without load
⁵⁾ L/D switching type control line
L/D = open (not assigned) dark-switching D.ON
L/D = + V_S : light-switching L.ON
L/D = 0 V: dark-switching D.ON
⁶⁾ Signal transit time with resistive load
⁷⁾ With light/dark ratio 1:1
⁸⁾ Do not bend below 0 °C
⁹⁾ Reference voltage 50 V DC
¹⁰⁾ A = V_S connections reverse-polarity protected
B = Inputs and output reverse-polarity protected
C = Interference pulse suppression
D = Outputs overload and short-circuit protected

Scanning range and operating reserve



Reflector type	Operating range
1 PL 80 A	0.03 ... 2.3 m
2 C 110	0.03 ... 2.0 m
3 PL 50 A/PL 40 A/P 250	0.03 ... 1.8 m
4 Reflective tape Diamond Grade	0.1 ... 0.7 m



Order information

Type	Order no.
VL 12-2P 132	6 026 219
VL 12-2P 430	6 026 220
VL 12-2N 132	6 026 217
VL 12-2N 430	6 026 218